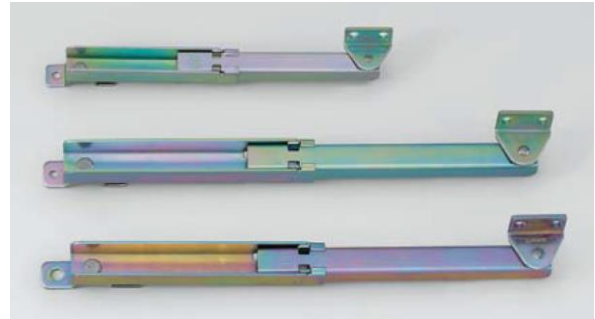


GYFNS-300 Foot Stay

Swing door opening

Opening Direction	Description	Lock Release Part
 Swing Door	Locks When Fully Opened	Body (Lifting with Foot)



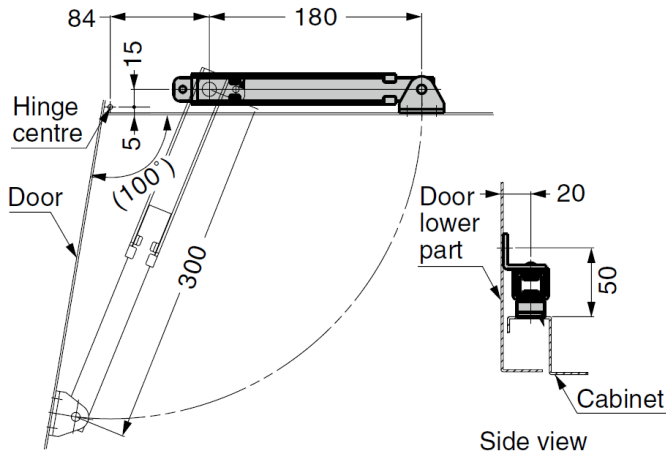
Features

- Automatically locks door when fully opened
- Simply lift the stay with foot toe to release the lock
- Non-handed: Can be installed on left or right side
- Designed for bottom mount. (vertical use not allowed)
- Components to install to aluminium frame also available, contact Gripwell for assistance

Notes

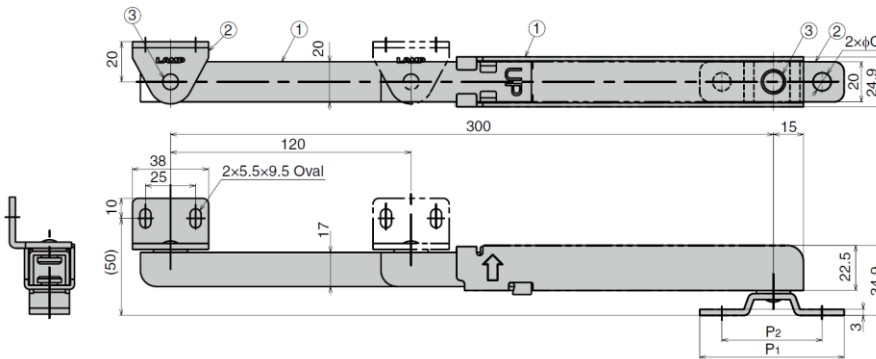
- Release the lock while supporting the door
- Do not step on the stay
- Opening angle and installation position changes depending on hinge position

Installation



- Drawing above shows the state where the stay is installed to the door bottom, seeing the door from above.

No.	Part Name	Material	Finish
①	Body	Stainless Steel (SUS304)	Barrel Polished
②	Bracket		
③	Shaft	Stainless Steel	–



Part No.	P ₁	P ₂	C
GYFNS-300	60	45	5.5
GYFNS-300-T50	72	60	9